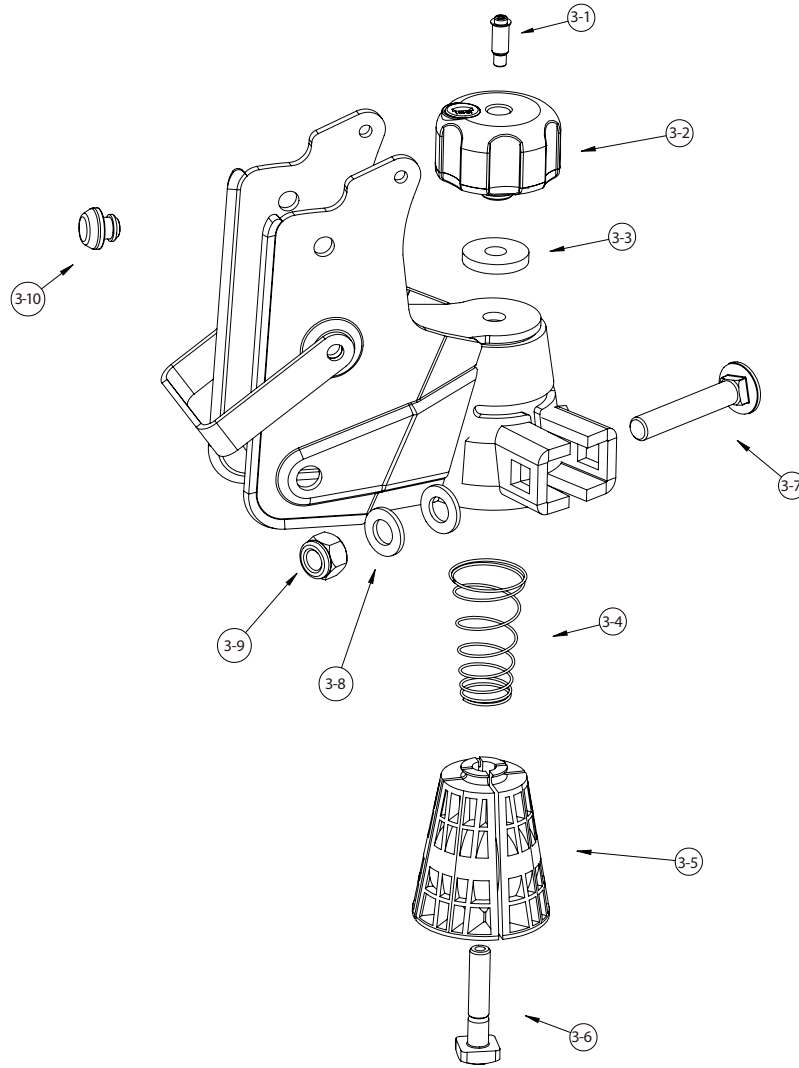
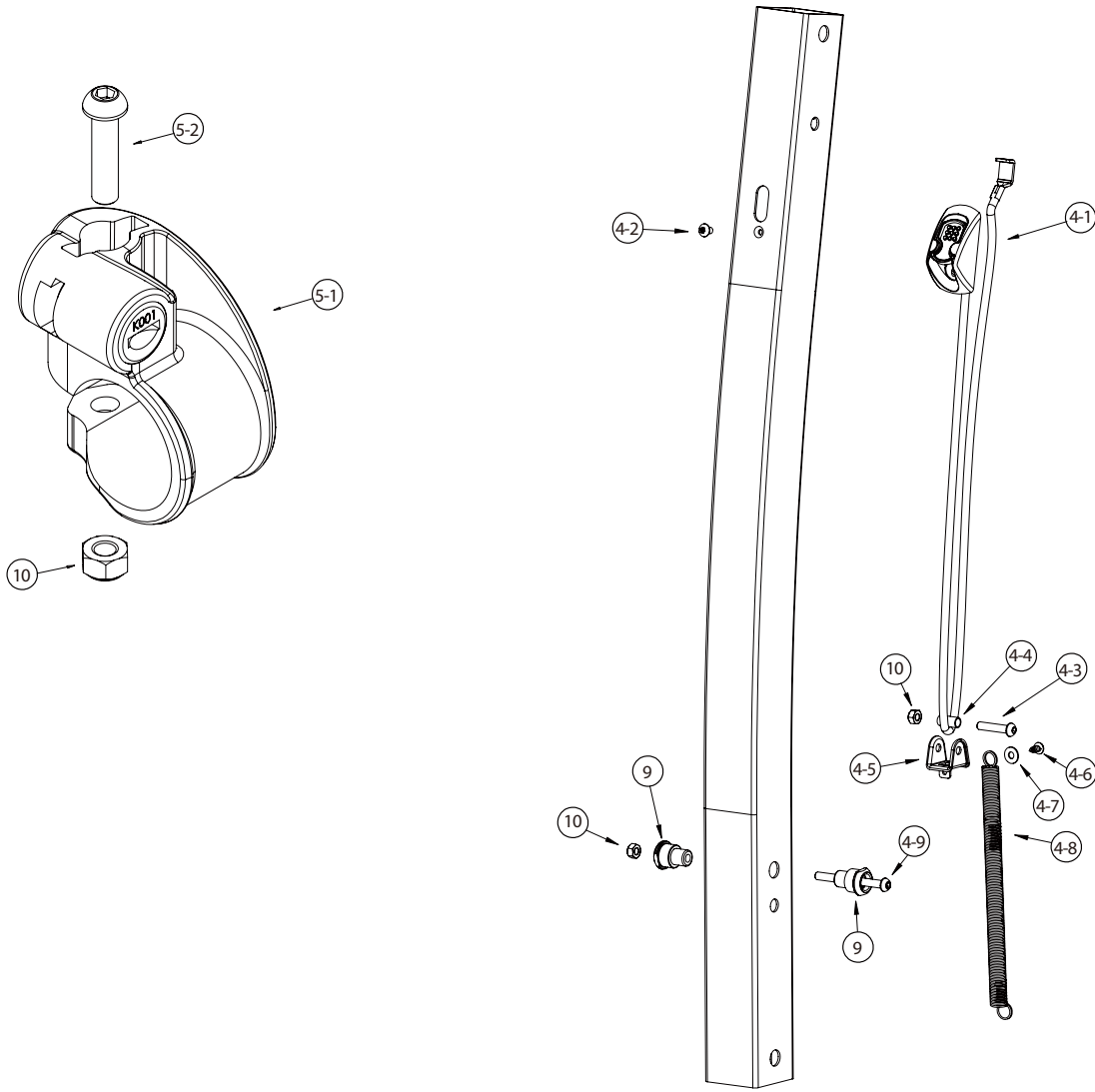


PART	DESCRIPTION	PARTNUMBER	QTY.	PACK SIZE
1	Ratchet cradle completed (L)			
1-1	Ratchet cradle (L)	130-00474-01		
1-2	Cradle pad	130-00476-01		
1-3	Ratchet strap	130-00477-05		
1-4	Washer Ø4.2×Ø8×0.8t	142-1042-001-58		
1-5	Screw Ø3.6x16mm	140-1680-001-58		
2	Ratchet cradle completed (R)			
2-1	Ratchet cradle (R)	130-00475-01		
3	Conic Foot Assembly			
4	Vertical tube			
5	Cable locking clip	47-0113-037-01		
6	Foot knob	47-0113-032-01		
7	Knob Cable	130-00473-05		
8	Button head screw M6x82mm	140-1106-022-58		
9	Screw Cap	118-00093-58		
10	Nylock nut M6	141-0106-001-58		
11	Pedal	130-00478-01		
12	Nylon Nut M8x1.25x13	141-0108-001-58		
13	Spring 5 cm	145-00041-50		
14	Button head screw M6x90mm	140-1106-023-58		
15	Head knob	47-0113-031-01		

PART	DESCRIPTION	PARTNUMBER	QTY.	PACK SIZE
16	End Cap	130-00443-01		
17	Screw	140-1680-001-58		
18	PE Foam pad	134-00021-01		
19	Pad velcro protector	139-00022-05		
20	Allen key	144-00009-56		
21	Wrench	47-0113-030-01		
22	Wrench cover	130-00513-01		
23	Safety strap	47-0113-011-01		
24	Key K001~K010	47-0113-020-01		



PART	DESCRIPTION	PART NUMBER	QTY.	PACK SIZE	PART	DESCRIPTION	PART NUMBER	QTY.	PACK SIZE
3-1	Retainer	47-0113-021-01							
3-2	Locking knob(conic)	47-0113-022-01							
3-3	Washer 10.5 x 32	47-0113-023-01							
3-4	Conical spring	145-00048-50							
3-5	Conical clamp	118-00033-00							
3-6	Square head bolt M10 x 50	47-0113-028-01							
3-7	Carriage bolt M12x70mm	140-0112-007-58							
3-8	Washer 13x24mm	142-1130-001-58							
3-9	Nylock nut M12	47-0113-029-01							
3-10	Rubber pad	130-00159-01							



PART	DESCRIPTION	PART NUMBER	QTY.	PACK SIZE
4-1	Locking cable	47-0113-035-01		
4-2	Button head screw M5x8mm	140-1205-001-58		
4-3	Button head screw M6x30mm	140-1106-024-58		
4-4	Rod Ø8.0x17mm	47-0113-038-01		
4-5	Roller base	47-0113-036-01		
4-6	Screw Ø4.75x12mm	140-1782-002-58		
4-7	Washer Ø5.3xØ12.8	142-1053-001-58		
4-8	Spring 21 cm	145-00049-50		
4-9	Button head screw M6x65mm	140-1106-018-58		
5-1	Clip	130-00488-01		
5-2	Button head screw M6x25mm	140-1106-005-58		
9	Screw Cap	118-00093-58		
10	Nylock nut M6	141-0106-001-58		

PART	DESCRIPTION	PART NUMBER	QTY.	PACK SIZE